

# HP Designjet 4500mfp

Quadruple your large-format colour printing productivity



Maximise productivity with the HP Designjet 4500mfp. Take advantage of a large input and output capacity for unattended printer operation. With high performance scanning and copying that is seamlessly integrated, it's the ideal colour production system for technical applications.

## Boost productivity with amazing speed

HP Double Swath Technology produces twice the performance in colour and black and white.<sup>1</sup> Two long-life HP printheads for each colour deliver a wide print swath and a higher firing frequency that enables fast printing. Get 2 D/A1-size prints in colour and black and white in less than 1 minute<sup>2</sup>.

Integrated scanning enables excellent copy quality and performance. With scan speed of 3 inches per second colour and 10 inches per second black and white, 2 D/A1-size prints in less than 1 minute<sup>3</sup> and excellent image quality (508 dpi optical resolution), the HP Designjet 4500mfp delivers outstanding copy and scan performance.

The embedded processor delivers fast, simultaneous processing and printing up to 100 D/A1-size prints per hour.<sup>3</sup> With 256 MB of memory that can be expanded up to 512 MB, you can expect excellent performance on even your most complex jobs.

## Quadruple<sup>4</sup> your volume printing productivity

Take advantage of media flexibility and higher productivity. The HP Designjet 4500mfp has a large, flexible input capacity. Two independent roll feeds allow for different media types or sizes, each up to 175 m/574 ft in length. Together with fast automatic roll switching, this printer is perfect for unattended printing and copying. And with margins only 5 mm (0.2 inches) wide, even trimming is unnecessary.

Get more ink and lower printing costs for high volume, high productivity printing and copying. HP provides the new HP 90 Extra-large 775cc Black Ink Cartridge and 3-ink Cartridge Multipack for environments that produce a high volume of line drawings.

For the optimum solution to further enhance your unattended productivity, an optional stacker is available. Synchronising seamlessly with the printer, it automatically flattens/decurls output and holds up to 200 plots.<sup>5</sup>

## Superior colour, image detail and line accuracy

With the ability to deliver up to 2400 x 1200 dpi and  $\pm 0.1\%$  line accuracy, the HP Designjet 4500mfp creates sharp, professional-quality images. And patented dye-based colour and pigment-based black HP inks produce accurate lines and images to perfect the job.

HP understands that your business needs consistent, high quality colour results on the first print for maximum productivity. The HP Designjet 4500mfp is engineered with a range of advanced colour technologies, including: automatic fault

correction, enhanced sRGB printing and AdobeRGB, Closed Loop Colour calibration, TIFF and JPEG with embedded ICC profiles, offset emulation, HP CMYK Plus, Black Point Compensation, and Pantone Calibration.

Combined with HP media such as HP Universal Inkjet Bond Paper and HP Super Heavyweight Plus Matte Paper, this printer helps increase efficiency through greater reliability and consistency.

## Integrated, streamlined efficiency in an easy-to-use solution

The integrated copy system of the HP Designjet 4500mfp features realtime printer, media, and queue information in the scanner user interface along with copy accounting in the printer and copy job priority capability. An easy-to-use touch screen, easy colour calibration and easy print settings for printing sets make scanning and copying exceptionally user friendly.

Save time with the driverless multi-file printing workflow that is operating system independent and simply requires a TCP/IP connection and a standard Web browser. Support for a wide range of formats, including TIFF, JPEG, CALS/G4, HP-RTL, HP-GL/2, as well as Adobe® PostScript Level 3 and PDF 1.5, helps you to quickly and accurately finish any job.

For fast, easy deployment integration into your office network the HP Designjet 4500mfp includes Jetdirect Fast Ethernet print server. But that's not all. A wide range of productivity options is also available, including HP Jetdirect 40d Gigabit Ethernet printer server, high-speed USB 2.0 card and an EIO slot for a variety of HP Jetdirect internal print servers.

In addition, the HP Designjet 4500mfp comes with the HP Embedded Web Server, which lets you remotely manage printer, ink and media usage. Plus, you can generate detailed usage reports by job, user, project, or even type of print and automatically send them for remote usage tracking or easy and accurate billing.

<sup>1</sup> Compared to any HP Designjet 600/700/800/1000 printer series

<sup>2</sup> Mechanical printing time. Speed indicated is maximum printer speed; speeds may vary based on printing conditions.

<sup>3</sup> Multi-copy printing; total printing time.

<sup>4</sup> HP Designjet 4500 printer series with optional stacker has 4 times as much media input and output capacity compared to the HP Designjet 4000 printer series.

<sup>5</sup> Actual capacity will vary depending on media type and weight.



# HP Designjet 4500mfp

1. Ink supplies of 225 ml and 400 ml for CMY, and 400 ml and 775 ml for K.

2. Accommodates 2 media rolls with long roll support up to 175 m/574 ft.

3. Front panel with user friendly animations.

4. Colour consistency and screen-to-print matching with HP Professional Color technologies.

5. Pairs of staggered printheads in the carriage mean the HP Designjet 4500 printer series has double the print capacity of earlier models.<sup>1</sup>

6. HP Embedded Web server for driverless file submission, queue management, preview, supplies and printer status and error notification.

7. HP Embedded Jetdirect Print Server 10/100BT + 2 IEEE1394 (FireWire) ports.

8. Embedded processor for simultaneous printing and processing. 256 MB memory expandable to 512 MB and 40 GB hard disk.

9. Equipped with a standard bin that holds 25 D/A1 size prints. An optional stacker is capable of flattening and stacking up to 200 plots.<sup>2</sup>

10. The built-in scanner accepts originals up to 1092 mm/43 inches wide and 15 mm/0.6 inches thick.

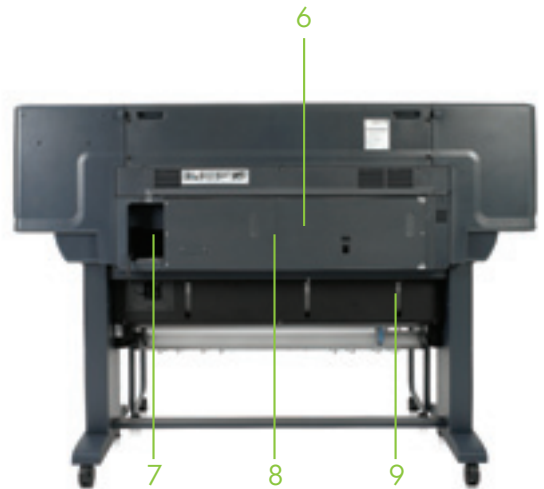
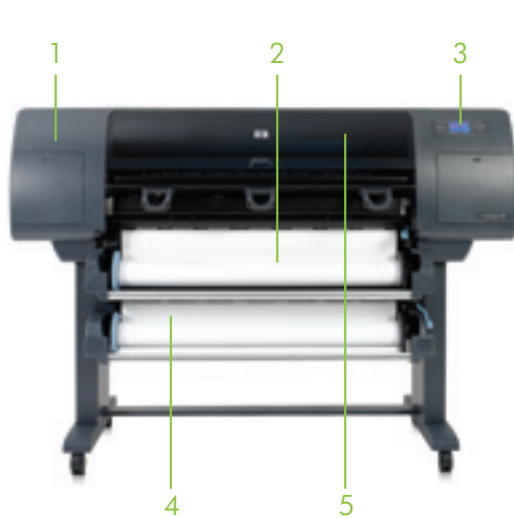
11. Scan resolution of 508 dpi optical and 2400 ppi enhanced.

12. Scan speed up to 76 mm/3 inches per second colour and 254 mm/10 inches per second black and white.

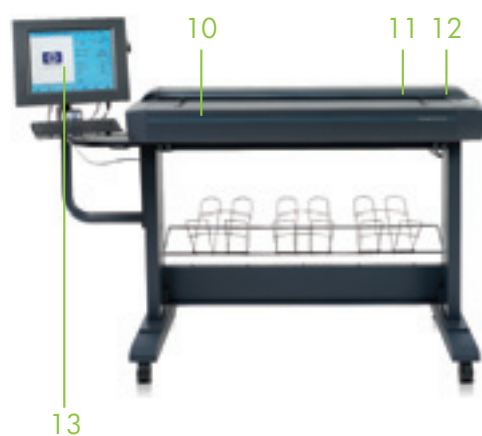
13. Intuitive, 15-inch touch-screen display with graphical interface.

14. Includes Read/Write DVD-ROM to save scanned documents on DVDs and CDs.

15. 2.6Ghz processing speed, 1 GB memory, and 30 GB hard disk drive for faster scan and copy performance.



## HP Designjet 4500ps Printer shown



## HP Designjet 4500 Scanner shown

<sup>1</sup> Compared to any HP Designjet 600/700/800/1000 printer series.

<sup>2</sup> Actual capacity will vary depending on media type and weight.

## HP Designjet 4500mfp at a glance

### HP Designjet 4500mfp

- Up to 1067 mm/42 inches wide
- 2400 x 1200 dpi maximum resolution
- Two media rolls with long roll support up to 175 meter/574 ft
- Ink supplies of 225 ml and 400 ml for CMY, 400 ml and 775 ml for K
- Embedded processor and 256 MB memory expandable up to 512 MB. 40 GB hard disk
- Support for HP-GL/2, HP RTL, TIFF, JPEG, CALS G4
- Embedded RIP for Adobe—PostScript Level 3 and Adobe—PDF 1.5
- HP Designjet 4500 Scanner

### Optional accessories

- HP Designjet 4500 Stacker
- HP Jetdirect 40d Gigabit Print server

- HP Designjet 4500—1067mm/42 inches Roll Feed Spindle
- High Speed USB 2.0 card
- 256 MB memory upgrade
- HP Jetdirect 620n LAN card

### Optional service and support

- HP Installation Service (1 unit)
- HP Network Installation Service (1 unit)
- HP Next Business Day Onsite Hardware Support, 3 years
- HP 4 hour response 9 x 5 Onsite Hardware Support, 3 years
- HP 4 hour response 13 x 5 Onsite Hardware Support—onsite in 4 hours, 3 years
- HP Next Business Day Onsite Hardware Support, 1 year post warranty
- HP 4 hour response 9 x 5 Same-Day Onsite Hardware Support, 1 year post warranty



“In the past, we had to spend a few hours a week to pick up the plots from the floor and flatten them after an overnight run. Some damaged plots even needed to be re-printed. Now with the HP Designjet 4500, I feel confident that the plots will be neatly stacked, allowing me to save time and concentrate on my job.”

Daniel Domingo

Draftsman, Area Metropolitana de Barcelona

## Boost your high volume productivity even further

The HP Designjet 4500 Stacker collects up to 200 D/A1 or E/A0 size plots<sup>1</sup> and automatically flattens them, keeping them organised until you can gather them. Print unattended runs during business hours—and get more done—or overnight.

Free up production staff to work on multiple projects at once. The HP Designjet 4500 Stacker handles large black-and-white or colour jobs without intervention. Unattended printing allows users to get more done.

Save time and collect your valuable, high-impact output as it prints with the HP Designjet 4500 Stacker. When you're ready to gather your output, it will be organized and waiting for you.

Neatly and cleanly collects all sizes and weights of printable media supported by the HP Designjet 4500mfp, including HP Universal Inkjet Bond Paper, HP Super Heavyweight Plus Matte Paper and HP Universal Instant-dry Photo Media.

<sup>1</sup> Actual capacity will vary depending on media type and weight.

## Technical specifications

<b>Print speed</b>	Up to 100 A1/D pages per hour <sup>1</sup> , 93 m <sup>2</sup> /hr, 1000 ft <sup>2</sup> /hr <sup>2</sup>		
<b>Resolution, maximum</b>	Up to 2400 x 1200		
<b>Line accuracy</b>	± 0.1%		
<b>Print margins</b>	Top: 5 mm/0.2 inches (Small); 11.5 mm/0.45 inches (Normal); 55 mm/2.1 inches (Extended); Bottom: 5 mm/0.2 inches (Small & Normal); 55 mm/2.1 inches (Extended); Side: 5 mm/0.2 inches (Small & Normal); 15 mm/0.6 inches (Extended)		
<b>Scan<sup>3</sup> Speed</b>	Colour (200 dpi): 76 mm/sec (3 inches/sec); black & white (200 dpi): 245 mm/sec (10 inches/sec)		
<b>Resolution</b>		<b>Best mode</b>	<b>Draft mode</b>
	Black & white	300 x 300 dpi	200 x 200 dpi
	Colour	300 x 300 dpi	150 x 150 dpi
	Enhanced Mode	Black & white 2400 x 2400 dpi, with variable resolution settings from 50 dpi in increments of 1 dpi	
<b>Max. Scan Width</b>	1067 mm/42 inches		
<b>Max. Scan Thickness</b>	15 mm/0.6 inches		
<b>Copying<sup>3</sup> Copy Resolution</b>	300 x 300 dpi		
<b>Reduction/Enlargement</b>	1 to 10,000%		
<b>Maximum Copies</b>	99		
<b>Copier Settings</b>	Type of original, image crop and align preview, lightness, saturation and RGB controls, sharpen/blur, mirror copy, enlarge/reduce, paneling, tiling, nesting, and accounting		
<b>Memory</b>	256 MB (upgradeable to 512 MB), 40 GB hard disk		
<b>Media Handling</b>	Printer:	Two automatic rolls, automatic roll-switching, automatic cutter	
	Scanner:	Straight-through scan paper path for sheet and cardboard originals, output basket	
<b>Media Types</b>	Printer:	Paper (plain, inkjet, coated, heavyweight coated, super heavyweight coated, semi-gloss, glossy, translucent bond, natural tracing, photo, vellum), film.	
	Scanner:	Non-abrasive paper, vellum, mylar, sepia, blueprints, plastic, film, plastic laminate, foam board, cardboard, no plywood, no stone plates, no metal plates nor abrasive dirty, rough, sharp edged, metal clamped, burned surfaces	
	Stacker:	Paper (plain, inkjet, coated, heavyweight coated, super heavyweight coated, semi-gloss, translucent bond, natural tracing, photo, vellum) <sup>3</sup>	
<b>Thickness (by paper path)</b>	All paths:	up to 0.4 mm/0.157 inches	
<b>Weight (by paper path)</b>	All paths:	50 to 328 g/m <sup>2</sup> /0.11 to 0.72 lb	
<b>Size</b>	Rolls up to 1067 mm/42 inches wide		
<b>Printing Technology</b>	HP Thermal Inkjet		
<b>Technology resolution</b>	HP Color Layering Technology, HP PhotoREt III		
<b>Print cartridge colours</b>	Black, cyan, magenta, yellow		
<b>Ink types</b>	Black pigmented, CMY dye based		
<b>Ink drop</b>	5 pl colour, 15 pl black		
<b>Connectivity</b>	Interfaces Standard: Printers		
	1 EIO slot, embedded Jetdirect, Fast Ethernet (10/100 Mbps), FireWire (IEEE 1394a-compliant)		
	Interfaces Standard: Scanner <sup>3</sup>		
	1 Fast Ethernet 10/100 Base-TX		
	Interfaces Optional		
	HP Jetdirect 620n LAN Card, HP Jetdirect 40d Gigabit Print Server for the HP Designjet 4000 printer series, HP Designjet 4000 printer series Hi-speed USB 2.0 card		
	Drivers (included)		
	HP-GL/2, HP-RTL Windows drivers, PS Windows drivers, ADI driver for AutoCAD R14, support for AutoCAD 200x, support for Citrix MetaFrame environments, PS driver for Mac OS X v 10.2.8, 10.3, 10.4		
<b>Print languages (standard)</b>	Adobe PostScript Level 3, Adobe PDF 1.5, HP-GL/2, HP-RTL, JIF, JPEG, CALS-G4		
<b>Dimensions (h x d x w)</b>	Maximum printer: 1930 x 800 x 1350 mm/76 x 31.5 x 53.2 inches Maximum Scanner <sup>3</sup> : 1800 x 1020 x 1380 mm/ 70.8 x 40.2 x 54.3 inches Shipping printer: 2130 x 775 x 1320 mm/83.9 x 30.5 x 52 inches (EMEA), 2130 x 775 x 1890 mm/83.9 x 30.5 x 74.4 inches (CA, LAR, NA, AP) Shipping scanner: 1910 x 690 x 730 mm/ 75.2 x 27.2 x 28.7 inches		
<b>Weight</b>	Printers:	185 kg/408 lb	
	Scanner <sup>3</sup> :	209.5 lb/95 kg; 227.3 kg/501.1 lb (EMEA), 272.3 kg/600.3 lb; Shipping, scanner <sup>3</sup> : 76 kg/321.9 lb	
<b>What's in the box</b>	HP Designjet 4500 Printer, stand and basket assembly, Roll module, Setup Poster, Documentation & Drivers CD, Quick Reference Guide and holder, maintenance kit, power cord, 3" spindle adapter (4), printheads (8), printhead cleaners (8), ink cartridges (4), ink cartridge insert, ink printhead insert, Customer Service Guide, HP Designjet 4500 Scanner, Stand and basket assembly, Touch Screen (Panel FC), Keyboard, Power cables, FireWire cables (X2), Media guides (X2), Maintenance sheet, System recovery DVD, Maintenance kit, Plastic dust cover, Scanner Setup Poster, Scanner Quick Reference Guide, Customer Service Guide		
<b>Environmental ranges</b>	Operating temperature: 41 to 104° F/5 to 40° C; Recommended operating temperature: 59 to 86° F/15 to 30° C; Storage temperature: -4 to 131° F/-20 to 55° C; Operating humidity: 20 to 80% RH; Recommended humidity: 25 to 75% RH		
<b>Acoustic</b>	Sound pressure, active: 46 dB(A); Sound pressure, standby: 41 dB(A); Sound power, active: 6.3 B(A); Sound power, standby: 5.8 B(A)		
<b>Power consumption Maximum</b>	800 watts <sup>4</sup>		
<b>Power requirements</b>	Printers:	Input voltage 100 to 127 VAC (+/- 10%), 6 amp; 220 to 240 VAC (+/- 10%), 3 amp; 50/60 Hz (+/- 3 Hz); auto range	
	Scanner:	100 to 240 VAC (+/- 10%), auto range, 50/60 Hz, 5 amp maximum	
<b>Power requirements Safety certification</b>	Compliant with IEC 60950, including EU LVD and EN60950, CSA-certified for US and Canada, Mexico NYCE, Argentina IRAM, Singapore PSB, Russia VNIIS, NEMKO, China CCC, Taiwan BSMI		
<b>Electromagnetic compatibility</b>	Compliant with Class A requirements, including EU (EMC Directive), US (FCC rules), Canada (DoC), Australia (ACA), New Zealand (MoC), Japan (VCCI), Korea (MIC), Taiwan (BSMI)		
<b>Energy Star compliant</b>	No		
<b>Warranty</b>	One-year next-business-day on-site (Warranty varies according to country. Please check with your local Hewlett-Packard sales office or your nearest authorised dealer for details.)		

<sup>1</sup> Mechanical printing time. Printed in fast mode on HP Bright White Inkjet Paper (Bond.) Speed indicated is maximum printer speed.

<sup>2</sup> Multi-copy printing. Printed in fast mode on HP Bright Inkjet Paper (Bond). Speed indicated is maximum printer speed.

<sup>3</sup> The HP Designjet 4500 printer series does not support films, including HP Clear Film and HP Matte Film or other media with long drying time.



For more information, visit our website at [www.designjet.hp.com](http://www.designjet.hp.com)

© 2005 Hewlett-Packard Development Company, L.P. The information contained herein is subject to change without notice and is provided "as is" without warranty of any kind. The warranties for HP products are set forth in the express limited warranty statements accompanying such products. Nothing herein should be construed as constituting an additional warranty. HP shall not be liable for technical or editorial errors or omissions contained herein. Intel and Pentium are U.S. registered trademarks of Intel Corporation. Microsoft and Windows are U.S. registered trademarks of Microsoft Corporation.

Printed in Singapore, 2001-7306EEP, December 2005

## Ordering information

	<b>Product numbers</b>
Q1276A	HP Designjet 4500mfp
	<b>Paper handling</b>
Q5676A	HP Designjet 4500—42 inch Roll Feed Spindle
Q5677A	HP Designjet 4500 Stacker
	<b>Print Server</b>
Q5679A	HP Jetdirect 40d Gigabit Print Server for the Designjet 4500 series
	<b>Connectivity</b>
Q5680A	HP Designjet 4000 series High Speed USB 2.0 Card
J7934A	HP Jetdirect 620n LAN card
	<b>Memory</b>
Q5673A	HP Designjet 4000 series 256 MB Memory Upgrade
	<b>Supplies</b>
C5054A	HP 90 Black Printhead and Cleaner
C5055A	HP 90 Cyan Printhead and Cleaner
C5056A	HP 90 Magenta Printhead and Cleaner
C5057A	HP 90 Yellow Printhead and Cleaner
C5058A	HP 90 Black Ink Cartridge, 400 ml
C5059A	HP 90 Black Ink Cartridge, 775 ml
C5060A	HP 90 Cyan Ink Cartridge, 225 ml
C5061A	HP 90 Cyan Ink Cartridge, 400 ml
C5062A	HP 90 Magenta Ink Cartridge, 225 ml
C5063A	HP 90 Magenta Ink Cartridge, 400 ml
C5064A	HP 90 Yellow Ink Cartridge, 225 ml
C5065A	HP 90 Yellow Ink Cartridge, 400 ml
C5078A	HP Black Value Pack (Printhead & Cleaner + 400 ml Ink Cartridge)
C5079A	HP Cyan Value Pack (Printhead & Cleaner + 400 ml Ink Cartridge)
C5080A	HP Magenta Value Pack (Printhead & Cleaner + 400 ml Ink Cartridge)
C5081A	HP Yellow Value Pack (Printhead & Cleaner + 400 ml Ink Cartridge)
C5082A	HP 90 Black 3-Ink Cartridge Multipack (3 x 400 ml)
C5083A	HP 90 Cyan 3-Ink Cartridge Multipack (3 x 400 ml)
C5084A	HP 90 Magenta 3-Ink Cartridge Multipack (3 x 400 ml)
C5085A	HP 90 Yellow 3-Ink Cartridge Multipack (3 x 400 ml)
C5095A	HP 90 Black 3-Ink Cartridge Multipack (3 x 400 ml)
C5096A	HP 90 Black Printhead Cleaner
	<b>Media</b>
C6810A	HP Bright White Inkjet Bond Paper (914 mm x 91.4 m /36 inches x 300 ft)
51642B	HP Matte Film (914 mm x 38 m /36 inches x 125 ft)
C3868A	HP Natural Tracing Paper (914 mm x 45.7 m/36 inches x 150 ft)
C3859A	HP Translucent Bond (914 mm x 45.7 m/36 inches x 150 ft)
C6980A	HP Coated Paper (914 mm x 91.4 m/36 inches x 300 ft)
C6030C	HP Heavyweight Coated Paper (914 mm x 30.48 m/36 inches x 100 ft)
Q6576A	HP Universal Instant Dry Photo Gloss (1067 mm x 30.48 m /42 inches x 100 ft)
Q6581A	HP Universal Instant Dry Photo Semi-Gloss (1067 mm x 30.48 m /42 inches x 100 ft)
Q8004A	HP Universal Inkjet Bond Paper (A1, 594 mm x 91.5 m) JP
Q8002A	HP Universal Inkjet Bond Paper (914 mm x 152.4m/36 inches x 500 ft)
Q8005A	HP Universal Inkjet Bond Paper (A0, 841 mm x 91.5 m) JP
Q1398A	HP Universal Inkjet Bond Paper (1067 mm x 46.7 m/42 inches x 150 ft)
Q1406A	HP Universal Coated Paper (1067 mm x 46.7 m/42 inches x 150 ft)
Q1414A	HP Universal Heavyweight Coated Paper (1067 mm x 30.48 /42 inches x 100 ft)
Q6627A	HP Super Heavyweight Plus Matte Paper (914 mm x 30.58 m /36 inches x 100 ft)
Q6628A	HP Super Heavyweight Plus Matte Paper (1067 mm x 30.48 m/42 inches x 100 ft)
	<b>Service &amp; support</b>
UD644A/E	3 year Next-Day Onsite—onsite next day support
UD647A/E	3 year 9 x 5 Same-Day Onsite—onsite support in 4 hours
UD894A/E	3 year 13 x 5 Same-Day Onsite—onsite support in 4 hours
UD897PA/PE	Next-day onsite—1-Year post warranty
UD898PA/PE	9 x 5 Same-day onsite—1-Year post warranty
UD899PA/PE	13 x 5 Same-day onsite—1-Year post warranty

